

**ebm-papst St. Georgen GmbH & Co. KG**

Hermann-Papst-Straße 1

D-78112 St. Georgen

Phone +49 7724 81-0

Fax +49 7724 81-1309

info2@de.ebmpapst.com

www.ebmpapst.com

Nominal data

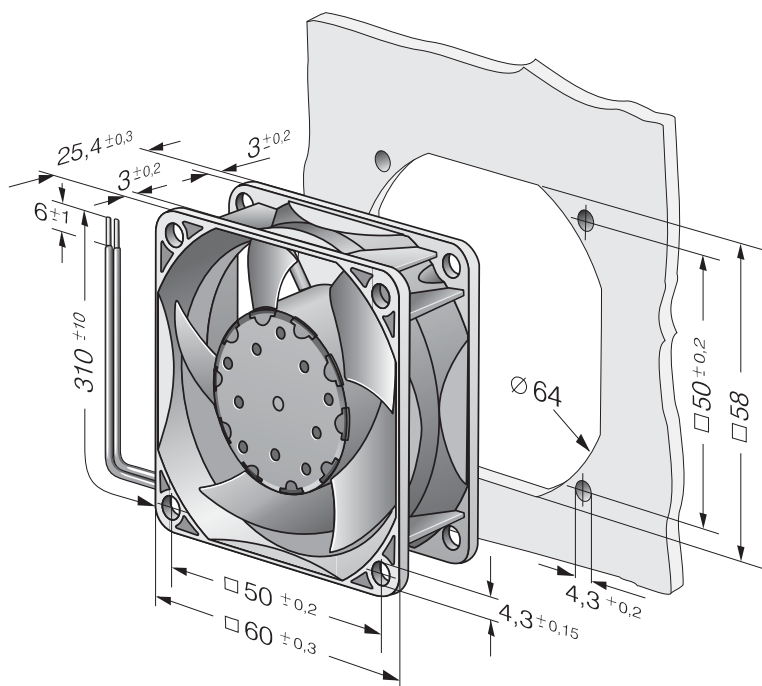
Type	632 /2HPU	
Nominal voltage	VDC	12
Nominal voltage range	VDC	10,8 .. 13,2
Speed	min ⁻¹	6400
Power input	W	1.5
Min. ambient temperature	°C	-20
Max. ambient temperature	°C	70
Air flow	m ³ /h	44
Sound power level	B	5.4
Sound pressure level	dB(A)	35

ml = max. load · me = max. efficiency · rfa = running at free air · cs = customer specs · cu = customer unit
 Subject to alterations

Technical features

General description	<p>Particular design features:</p> <p>Rigid compression curve for high air flow at high counterpressure. Motor has very low structure-borne noise. Control inputs and alarm and speed signals available on request. Developed for applications with stringent environmental requirements.</p> <p>General features:</p> <p>Material: fibreglass-reinforced plastic. Impeller PA, housing PBT. Electronic commutation completely integrated. Protected against reverse polarity and locking. Connection via single strands AWG 22, TR 64, bared and tin-plated. Air exhaust over bars. Rotational direction clockwise looking at rotor. Mass: 70 g.</p>
Mass	0.07 kg
Dimensions	60 x 60 x 25 mm
Lifetime L10 at 40 °C	85000 h
Lifetime L10 at maximum temperature	42500 h

Product drawing



Charts

